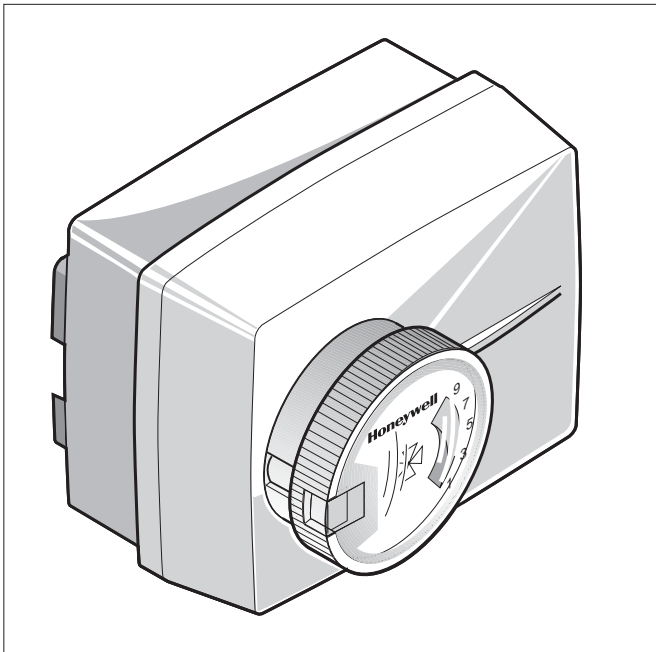


M6063

ACTUATORS

PRODUCT DATA



APPLICATION

The Honeywell M6063 actuators are designed to provide floating control in heating and air-conditioning systems. High control performance, robust and rigid design are standard for these actuators.

In combination with the valves V5433A / V5442A it is possible to control very exact heating and cooling water temperatures. The mechanical interface between actuator and valve is designed for reliable operation. For a wide range of applications rotary valves up to DN50 are available.

FEATURES

- Protected against overload and blocking
- Maintenance-free electrical actuator for rotary valves
- Clear position indicator
- Direct mounting on rotary valves
- Manual operation
- High torque
- Prewired
- Long lifetime

SPECIFICATIONS M6063L AND M6063A

Type	M6063L 1009	M6063L 4003	M6063A 1003	M6063A 4007
Auxiliary switch	—	250 Vac, 3 (1) A	—	250 Vac, 3 (1) A
Power supply	230/240 Vac	230/240 Vac	24 Vac	24 Vac
Power consumption	3 VA	3 VA	3 VA	3 VA
Control signal	230/240 Vac floating	230/240 Vac floating	24 Vac floating	24 Vac floating
Angle of rotation	90°	90°	90°	90°
Run time	100s / 90°	100s / 90°	100s / 90°	100s / 90°
Nominal torque	7 Nm	7 Nm	7 Nm	7 Nm
Protection standard according to EN 60529	IP 44	IP 44	IP 44	IP 44
Insulation class according to EN 60730	II	II	II	II
Ambient temperature for operation	0 – 60°C	0 – 60°C	0 – 60°C	0 – 60°C
Water temperature range in the valve	2 – 110°C	2 – 110°C	2 – 110°C	2 – 110°C
Relative humidity	non condensing	non condensing	non condensing	non condensing
Weight	0,5 kg	0,6 kg	0,5 kg	0,6 kg

SUITABLE VALVES

Three-way rotary valve V5433A, four-way rotary valve V5442A.

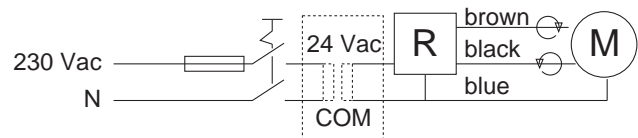
OPERATION

The actuators are powered by a synchronous motor. The spindle rotates through a range of 90°. The motor is switched off in the end position by end switches. The manual operation declutches the valve from the gear.

No adjustment necessary. The actuators are maintenance-free.

ELECTRICAL INSTALLATION

The actuators are prewired.



Power supply:

Blue: N (COM in case of 24 Vac)

Brown: Clockwise action

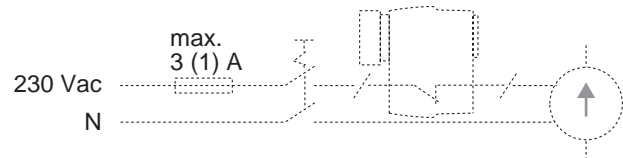
Black: Counterclockwise action

Fuse and switch are to be realized according to country specific instructions!

Actuator alternative with auxiliary switches:

Technical specifications of auxiliary switches: 250 Vac, 3 (1) A

Auxiliary switches enable the actuator to switch off external devices like circulation pumps, blowers and indicator lights at its mechanical end positions.

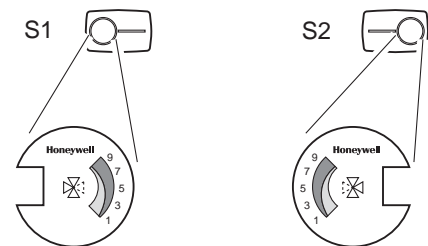


Connection:

Black and grey: Switch **S1** (contact opened by end stop left)

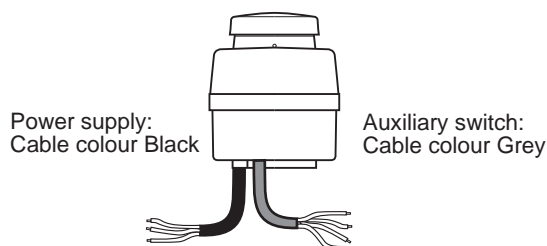
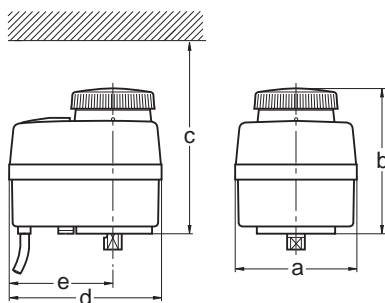
Brown and pink: Switch **S2** (contact opened by end stop right)

Whether to select switch **S1** or **S2** depends on the mounting position of the rotary valve and the actuator (additional mixing from left or right side).



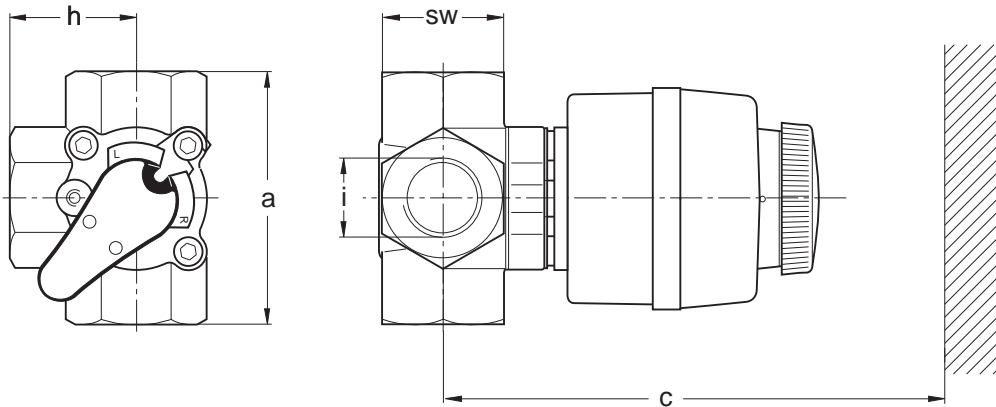
ORDER NUMBER, DIMENSIONS

OS Number	Power supply	Auxiliary switch	a [mm]	b [mm]	c [mm]	d [mm]	e [mm]
M6063L 1009	230/240 Vac floating	—	81	97	300	101	69
M6063L 4003	230/240 Vac floating	X	81	97	300	101	69
M6063A 1003	24 Vac floating	—	81	97	300	101	69
M6063A 4007	24 Vac floating	X	81	97	300	101	69



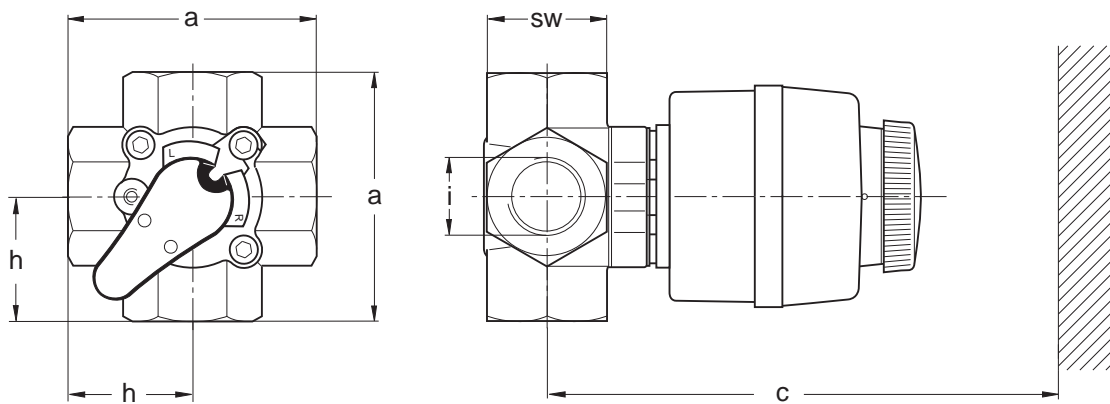
Dimensions with V5433A

OS Number	k_{vs} [l]	i [inch]	a [mm]	c [mm]	SW [mm]	h [mm]
V5433A 1015	2.5	R 3/4	85	340	41	42.5
V5433A 1023	4.0	R 3/4	85	340	41	42.5
V5433A 1031	6.3	R 3/4	85	340	41	42.5
V5433A 1049	10	R 1	105	345	46	52.5
V5433A 1056	16	R 5/4	105	350	55	52.5
V5433A 1064	25	R 1 1/2	115	355	65	57.5
V5433A 1072	40	R 2	120	365	80	60.0



Dimensions with V5442A

OS Number	k_{vs} [l]	i [inch]	a [mm]	c [mm]	SW [mm]	h [mm]
V5442A 1022	4	R 3/4	85	340	41	42.5
V5442A 1030	6.3	R 3/4	85	340	41	42.5
V5442A 1048	10	R 1	105	345	46	52.5
V5442A 1055	16	R 5/4	105	350	55	52.5



MOUNTING ON THE VALVE

Before mounting the actuator, position the rotary valve according to its installation instructions.

